



THE POWER OF **CONNECTED**

AutoCube 8200

Quick Start Guide

Out of the Box

Make sure your shipping box contains these items (full kit):

- AutoCube camera with protective foam
- Stand with cable(s) and clamps
- 4 cable covers
- Stand clamp
- Display and display holder (optional accessories)
- Mounting hardware
- Stand base cover

Unpacking the Box Contents

Carefully unpack the box contents.



Caution: Do not remove the protective foam from the camera during installation.

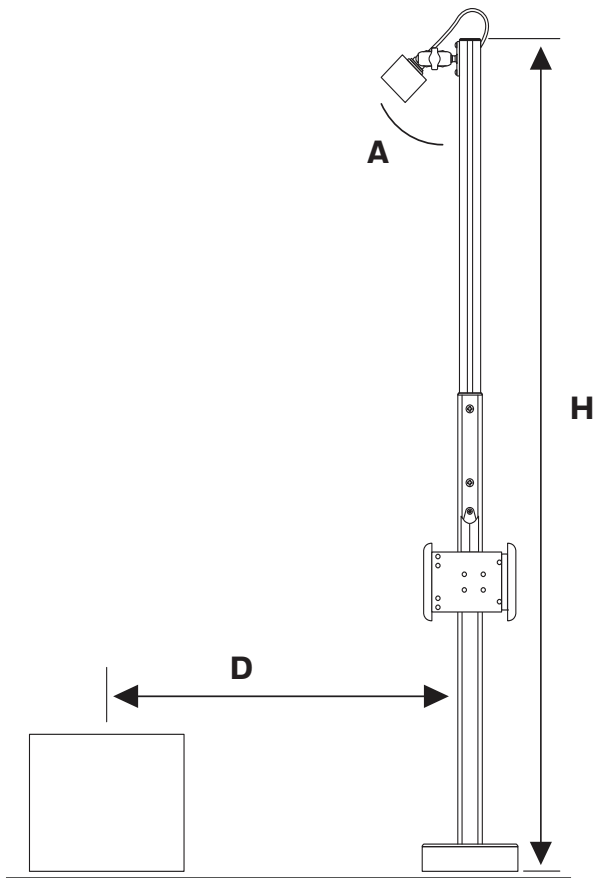


Caution: Do not open the AutoCube camera! The warranty and certification is void if this stipulation is ignored. The device may only be opened by authorized persons.

What You Need

- Drill with a Ø12.5 mm drill bit
- Measuring tape
- Allen wrench, 3 mm and 5 mm
- Adjustable wrench
- Hole saw Ø32 mm (optional)
- Pliers (optional)
- Phillips screw driver (optional)

Installation Overview



Dimensions

The following are the recommended dimensions for installation. The camera angle (A) and distance from the pole to the center of the measurement area (D) vary depending on pole height (H).

Pole Height (H)	Camera Angle (A)	Distance (D)
≈160 cm / ≈5.25 ft	≈30°	≈63 cm / ≈2 ft
≈190 cm / ≈6.25 ft	≈45°	≈133 cm / ≈4.3 ft

Note: *If you are not using the pole, the camera height (H), measured from the front center of the camera, should be ≈1.5 m / ≈5 ft or ≈1.8 m / ≈6 ft.*

Before You Begin

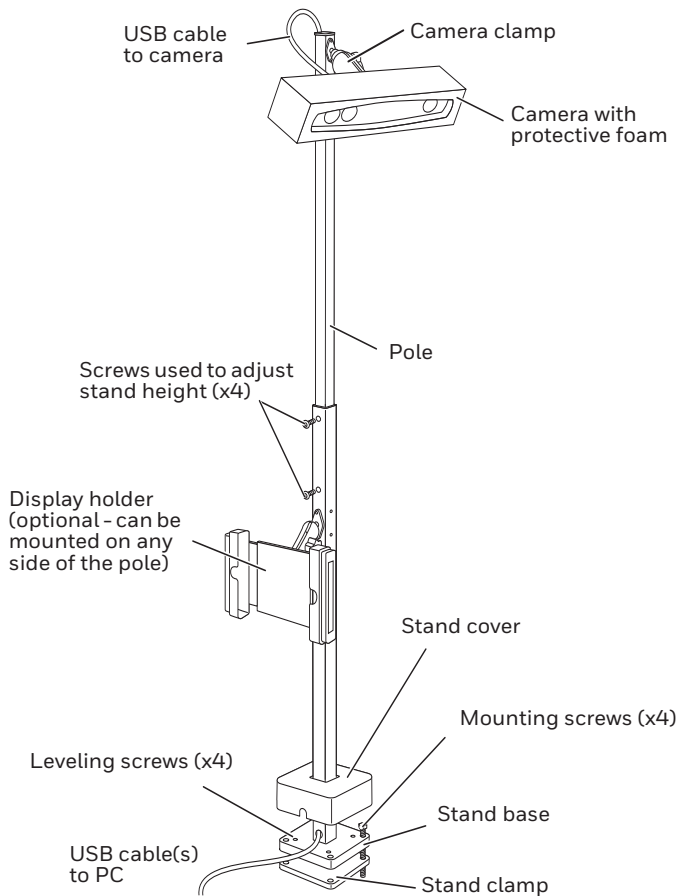
Determine where you will place the stand and if the cables will exit through the bottom of the stand (going through the mounting surface) or the side of the stand.

Prepare the Mounting Surface

Use the stand clamp as a template to trace and drill 4 holes (12 mm diameter) in the mounting surface.

Note: *If the cables will exit through the bottom of the pole and through the mounting surface, you must also drill the center hole of the stand clamp large enough to pull the cable(s) through.*

Hardware Overview

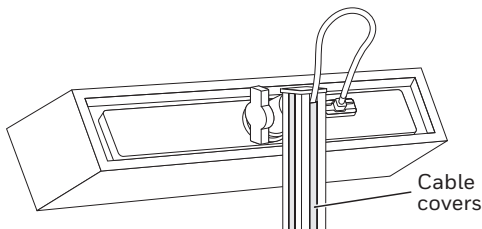
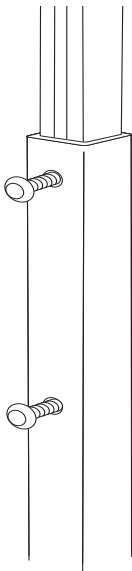


Adjust Pole Height

Pole height (H) is measured from the top of the pole to the top of the measurement area or scale.

1. Loosen the screws on each side of the pole (4x) using an Allen wrench.
2. Slide the pole up to the desired height.
3. Tighten screws on each side of the pole to secure the pole.
4. Pull the camera cable out of the bottom of the pole until approximately 25 cm (10 in) remain exposed at the top of the pole so it can be attached to the camera later.
5. Cut the cable covers to the length needed to cover the cable channels on the pole. Snap into cable channels.

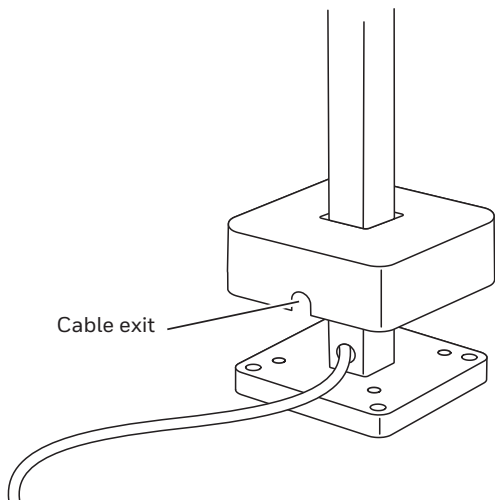
Note: *Cut the cable cover for the back side of the pole slightly shorter than the others so that the camera cable can exit and be connected to the camera.*



Route the Cables

By default the cables are routed out of the bottom of the stand. To route the cables out of the side:

1. Pull up the stand cover - some resistance is normal.
2. Pull the cables up and through the side exit on the pole.

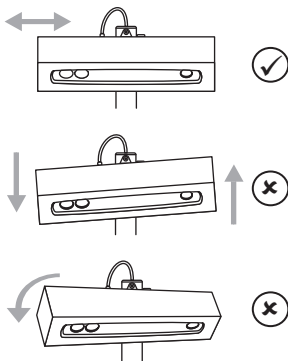
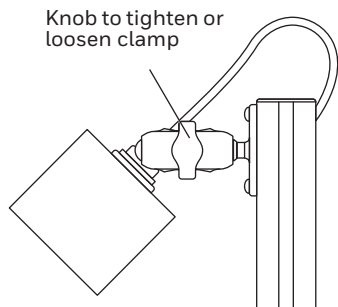


Install the AutoCube Camera



Caution: DO NOT remove the protective foam during installation.

1. Angle the clamp on the top of the pole perpendicular to the pole. Turn the knob to loosen the clamp.
2. Insert the ball of the camera into the clamp. Make sure the camera is right side up (Honeywell logo on front right side up). Adjust the camera to the correct angle (A) from the pole (see **Dimensions** at the beginning of this document).
3. Turn the knob to tighten the clamp. Be sure it is tight enough so that the camera will not move.
4. Attach the USB cable at the top of the pole to the camera. Secure the cable to the camera by tightening the screws by hand.



Note: *Be sure the camera is horizontal to the measurement area and aimed directly at the area.*

Note: *Keep the protective foam on the camera until installation is finished.*

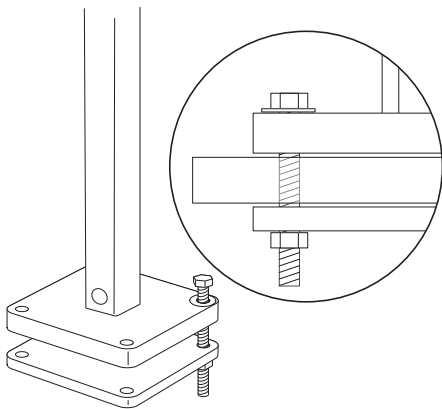
Mount the Stand

Recommended 2 person operation.

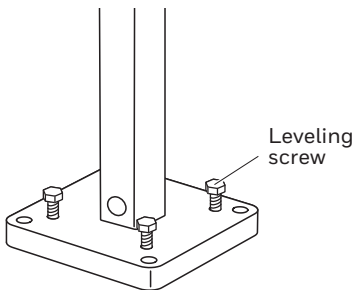
1. Rotate the stand assembly upright on the mounting surface. Align stand base to previously drilled holes.

Note: *If cables exit through the bottom of the pole, pull them through the mounting surface.*

2. Place washers on the stand base then the mounting bolts through the stand base and mounting surface. Thread into the stand clamp placed under the mounting surface.



3. Add the leveling screws if needed. Use in case the mounting surface is uneven. The stand must be level



4. Pull the display cable (optional) out of the cable exit (side or bottom), leaving enough for the cable to attach to the display (optional).
5. Slide the stand cover all the way down and click into place. Make sure cables exit the side of the stand cover if using side exit.
6. Verify that the camera is level and at the correct angle. Adjust if necessary.

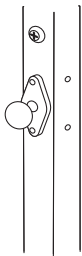
Install the Display (Optional)

If using a display, you will need to install the display holder, then install the display. You can mount the display holder on to any side of the pole.

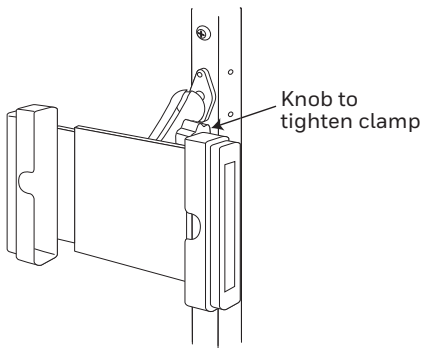
Note: Depending on the kit, the display holder may already be installed on the pole. If that is the case, skip the following instructions and go directly to the next section ([To install the display: on page 12](#)).

To install the display holder:

1. Decide which side of the pole you want to mount the display holder. Remove the cap plugs so that you have access to the screw holes.
2. Mount the RAM ball on to the pole using 2 screws (provided).



3. Attached the clamp to the RAM ball on the pole and to the RAM ball on the display holder. Tighten using the knob on the side of the clamp.

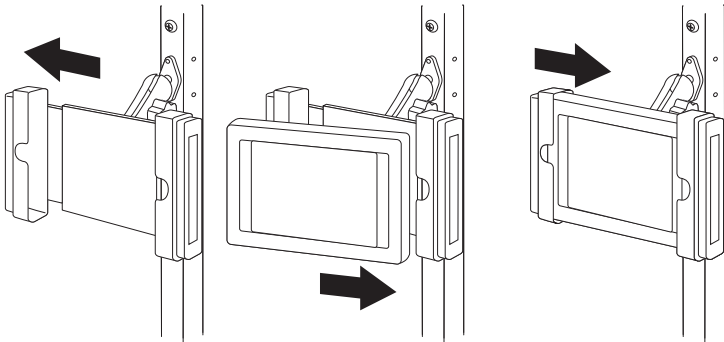


4. Run the USB cable for the display through the hole on the side of the pole (close to the display), exiting through the bottom or side of the pole (depending on the installation).

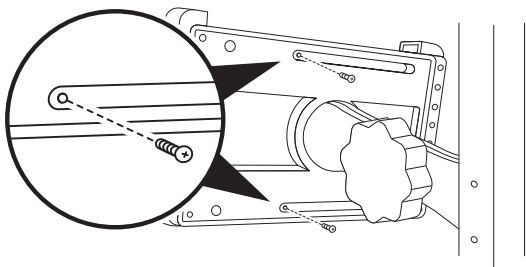
To install the display:

Note: Depending on your system, the driver for the display may need to be installed from the CD provided with it.

1. Attach the USB cable located to the display. Use the strain relief on the back of the display to hold the cable in position.
2. Pull open the side of the display holder, insert the display, then slide the open side of the holder back into place over the display.



- Secure the display by using 2 small screws (provided). On the back of the holder, screw them into the holes located in the slots.



- Adjust the position of the display by loosening the clamp with the knob. Set in position and tighten the clamp. Remove the knob, conserving it for future use.

Connect to the Host

- Connect the cable(s) exiting the bottom or side of the stand to the host PC.
- Turn on the host PC.
- Carefully remove protective foam from the camera.

If using a display, it is detected by Windows as a second monitor. Set this monitor as an extension of Windows desktop in **Control Panel, Display, Change display settings**.

AutoCube Software

Host requirements: 64-bit, PC/Laptop with Windows 7 or later. Minimal required configuration is Dual Core i3 (or equivalent) desktop processor with 2 GB RAM.

Note: *You must have administrative rights on the PC to install the software.*

To download the AutoCube software:

1. Go to hsmftp.honeywell.com.
2. Create an account if you have not already created one. You must sign in to download the software.
3. Install the **Honeywell Download Manager** tool.
4. Locate the AutoCube software in the directory (Software/Dimensioning/AutoCube).
5. Click **Download** and follow the screen prompts to download the software.
6. Once downloaded, install the AutoCube software by clicking on the .exe file.

Launch the AutoCube Software

When you launch the AutoCube software the first time you must:

- Complete the AutoCube Registration
- Setup the AutoCube software

AutoCube Registration

When you launch the application you will be asked to register your device.

Note: *You must have administrative rights on the PC to complete the AutoCube registration.*

To complete AutoCube registration:

1. Launch the AutoCube software.
2. Click on **Sign up** and follow the screen prompts.
3. Enter your information, then click **Next**. Enter the e-mail address that you want your password to be sent to.
4. Enter additional information then click **Register**.

Once registration is complete you will receive an e-mail with your User ID and password.

5. Launch the AutoCube application (click on **Sign In** on Registration Complete screen or launch the application later).
6. Enter your User ID and password from the e-mail that was sent to you.
7. Update your password.
Select a new password and keep it for access to your Auto-Cube account.
8. Add additional information that is used in case you need to recover your account information.

Click on **Verify** next to the phone number on the screen. You can modify the phone number if necessary. Use the phone number of the person you want to receive the verification code. Click **text me** or **call me** to perform the verification. Follow the screen prompts.

Click on **Set it up now** next to the e-mail authentication. Follow the instructions and verify the e-mail account.

We recommend setting up the phone number and e-mail. Security questions are optional.

9. Enter Device Information and click **Register**. Device registration starts. This takes a few minutes.

When registration is complete you will see that the status on the bottom left of the application window show **Connected**.

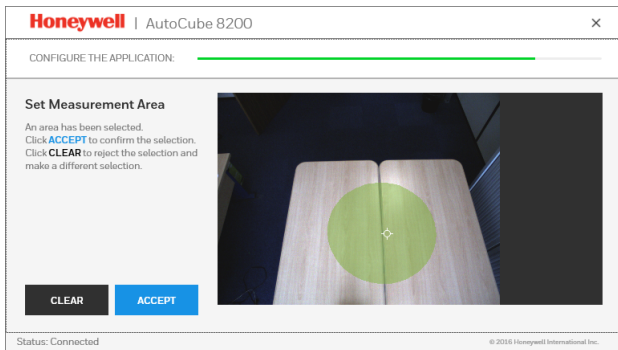
Setup the AutoCube Software

On first launch, the AutoCube application automatically takes you through several setup screens. Follow the instructions.

- Measurement Mode
- Wedge Settings
- Dimension Display
- Unit of Measurement
- Export Mode
- Log Settings & Image Storage Location
- Support and Contact Information (optional).

- Set Measurement Area

Click on the image to select the area. This takes a few seconds then a green circle appears showing the area selected. Click accept or clear to start over again.



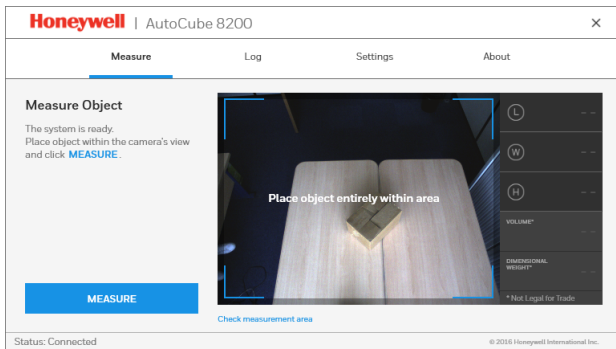
Note: *Each time you launch the AutoCube application, be sure the measurement area is empty.*

For more detailed information on configuring the AutoCube software, see the *AutoCube User Guide*.

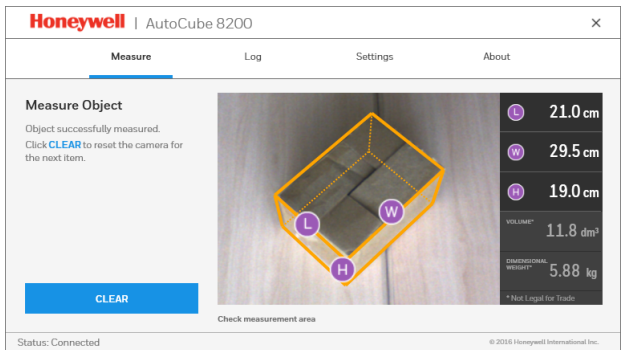
Measure an Object

To measure an object in manual mode:

1. Place an object in the measurement area. The object must be entirely visible within the camera's view.



2. Click the Measure button and the object dimensions are visible in the panel on the right.



3. The measurement information is recorded in the log.

Note: You can also measure objects in Automatic Mode. For more information on using and configuring AutoCube, see the *AutoCube User Guide*.

Custom Applications

The AutoCube software can also be integrated into a custom application using the AutoCube SDK and API. For more information go to www.honeywellaidc.com for the AutoCube SDK documentation.

Support

To search our knowledge base for a solution or to log into the Technical Support portal and report a problem, go to www.hsmcontactsupport.com.

User Documentation

For the user guide and other documentation, go to www.honeywellaidc.com.

Limited Warranty

For warranty information, go to www.honeywellaidc.com and click **Get Resources > Product Warranty**.

Patents

For patent information, see www.hsmpats.com.

Disclaimer

Honeywell International Inc. (“HII”) reserves the right to make changes in specifications and other information contained in this document without prior notice, and the reader should in all cases consult HII to determine whether any such changes have been made. The information in this publication does not represent a commitment on the part of HII.

HII shall not be liable for technical or editorial errors or omissions contained herein; nor for incidental or consequential damages resulting from the furnishing, performance, or use of this material. HII disclaims all responsibility for the selection and use of software and/or hardware to achieve intended results.

This document contains proprietary information that is protected by copyright. All rights are reserved. No part of this document may be photocopied, reproduced, or translated into another language without the prior written consent of HII.

Copyright © 2017 Honeywell International Inc. All rights reserved.